

Urba Bollard

THORN

96275588 URBA BOLLARD 4L105 730 CL2

LED 15W URBB_730	ISO 9223 C3	IP65		CE		EAC			650°C
------------------	----------------	------	--	----	--	-----	--	--	-------

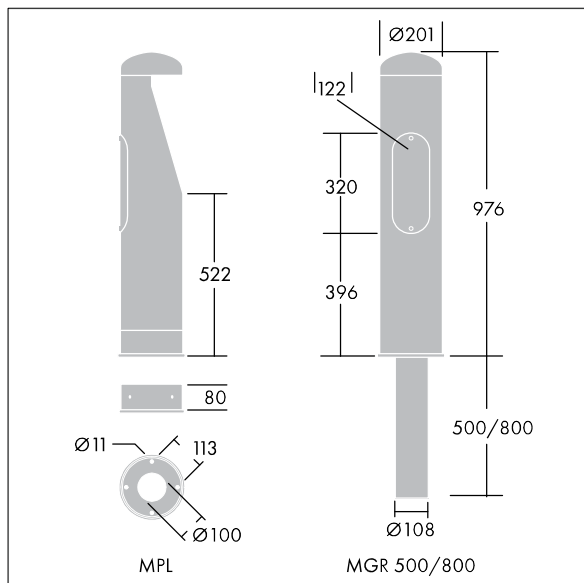
Urba Bollard

A decorative LED bollard. Electronic, fixed output control gear. Class II electrical, IP65, IK10. Body and bezel: low carbon steel, electro-plated zinc, finished black (RAL 9005). Diffuser: clear 5mm polycarbonate plate. Flange or root mounted using bases to be ordered separately. Complete with 3000K LED.

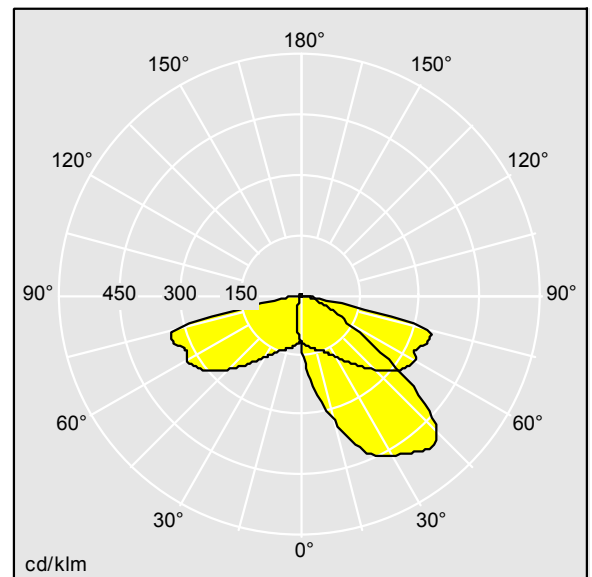
Dimensions: Ø200 x 970 mm
 Luminaire input power: 15 W
 Luminaire luminous flux: 1009 lm
 Luminaire efficacy: 67 lm/W
 Weight: 12.9 kg



TLG_TEA1_F_PDB.jpg



TLG_TEA1_M_LD1.wmf



TL_URBB4L105-730.ltd

Lamp position: STD - standard
 Light Source: LED
 Luminaire luminous flux*: 1009 lm
 Luminaire efficacy*: 67 lm/W
 Lamp efficacy: 67 lm/W
 Colour Rendering Index min.: 70
 LOR: 1,00 ULOR: 0,00 DLOR: 0,99

Ballast: 1 x 96277445 DR TCI 40W 350-1050 BI #CC
 1276CC(verniss)
 Correlated colour temperature: 3000 Kelvin
 Rated useful life (B10)*:
 L85 100000h at 25°C
 Luminaire input power*: 15 W
 Dimming: FO
 Total harmonic distortion (THD): 15.95 %

This product contains a light source of energy efficiency class D.

All values marked with an * are rated values. Thorn uses tried and tested components from leading suppliers, however there may be isolated instances of technology-related failures of individual LEDs during the rated product lifetime. International standards set the tolerance in initial flux and connected load at $\pm 10\%$. Unless stated otherwise, the values apply to an ambient temperature of 25°C. In most products the failure of one LED point causes no functional impairment to the lighting performance of the luminaire and is therefore no reason for complaint. Unless otherwise stated all Thorn LED products are suitable for unrestricted use (rated RG1) with regard photobiological blue light safety (IEC/EN60598-1).

Thorn Lighting is constantly developing and improving its products. The right is reserved to change specifications without prior notification or public announcement.
 © Thorn Lighting