

NOTES:

- 1 ALL DIMENSIONS ARE IN MILLIMETRES (mm) UNLESS NOTED OTHERWISE.
- 2 THE MINIMUM DEPTH OF COVER FROM THE FINISHED SURFACE TO THE EXTERNAL CROWN OF THE PIPE SHALL BE 750mm FOR SERVICE CONNECTIONS, 900mm FOR WATER MAINS. GREATER DEPTHS OF COVER AND/OR PIPE STRENGTH AND/OR A HIGHER CLASS OF BEDDING MATERIAL MAY BE REQUIRED WHERE HIGH TRAFFIC LOADING IS ANTICIPATED. THE MAXIMUM COVER SHOULD NOT EXCEED 1.2M WHERE PRACTICABLE.
- 3 CLAUSE 808 MATERIAL IN ACCORDANCE WITH THE TRANSPORT INFRASTRUCTURE IRELAND SPECIFICATION FOR ROAD WORKS IS TO BE USED AS BACKFILL MATERIAL WHERE THE WATER MAIN IS LOCATED IN ROADS, FOOTPATHS OR WHEN THE NEAREST PART OF THE TRENCH IS WITHIN 1M OF THE PAVED EDGE OF THE ROADWAY, CLAUSE 808 IS TO BE COMPACTED AS PER CLAUSE 802 OF THE TRANSPORT INFRASTRUCTURE IRELAND SPECIFICATION FOR ROAD WORKS.
- 4 SELECTED EXCAVATED MATERIAL MAY BE USED IN GREEN-FIELD AREAS ABOVE GRANULAR PIPE SURROUND MATERIAL SUBJECT TO THE APPROVAL OF IRISH WATER.
- 5 PIPE BEDDING SHALL COMPLY WITH WS 4-08-02 AND IGN 4-08-01 GRANULAR MATERIAL SHALL BE 14mm TO 5mm GRADED AGGREGATE OR 10mm SINGLE SIZED AGGREGATE IS EN 1242.
- 6 IN SOFT GROUND CONDITIONS (CBR < 5) THE MATERIAL SHOULD BE EXCAVATED OUT AND DISPOSED OF IN ACCORDANCE WITH THE WASTE MANAGEMENT ACT AND CLAUSE 808 MATERIAL IN ACCORDANCE WITH THE TRANSPORT INFRASTRUCTURE IRELAND SPECIFICATION FOR ROAD WORKS SHALL REPLACE THE EXCAVATED MATERIAL, WRAPPED IN GEO-TEXTILE WRAPPING, ALTERNATIVELY, SPECIAL PIPE SUPPORT ARRANGEMENTS, INCLUDING PILING ETC. MAY BE REQUIRED WHERE THE DEPTH OF SOFT MATERIAL IS EXCESSIVE. SUCH ARRANGEMENTS SHALL BE SUBJECT TO ASSESSMENT BY IRISH WATER BEFORE ADVANCING WITH THE WORK.
- 7 PIPES SHALL NOT BE SUPPORTED ON STONES OR ROCKS, OR ANY HARD OBJECT AT ANY POINT ALONG THE TRENCH. ROCK SHALL BE EXCAVATED TO A DEPTH OF 150mm BELOW

THE ACTUAL DEPTH OF THE TRENCH WITH THE VOID FILLED WITH CLAUSE 804 MATERIAL IN ACCORDANCE WITH THE TRANSPORT INFRASTRUCTURE IRELAND SPECIFICATION FOR ROAD WORKS SHALL BE LAID ABOVE THIS VOID BACKFILL MATERIAL.

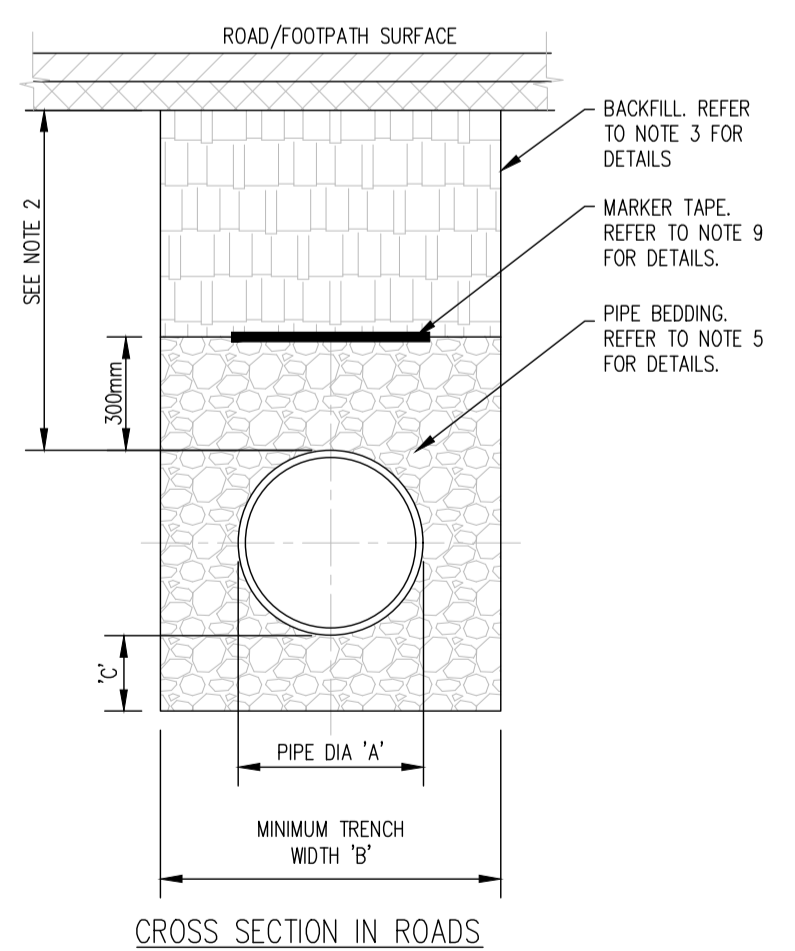
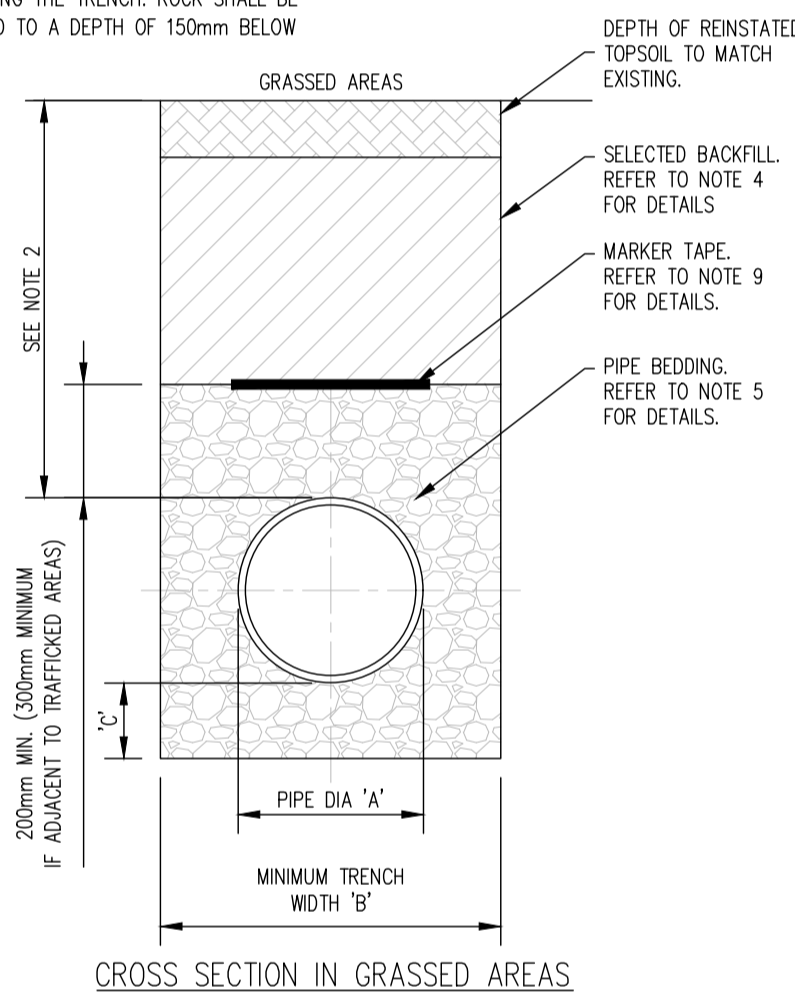
8 SHOULD MINIMUM COVER NOT BE ACHIEVABLE, CONCRETE GRADE C8/10 SHALL BE USED AS BACKFILL MATERIAL.

9 MARKER TAPE TO BE 400mm WIDE BLUE POLYETHYLENE MATERIAL IN ACCORDANCE WITH EN 12163, PLASTIC PIPES SHALL HAVE WARNING TAPE INCORPORATED A REINFORCED BAND BRACING WIRE. SERVICE PIPES SHALL HAVE 200mm WIDE MESH TAPE. MARKER TAPE TO BE LAID AT TOP OF PIPE BEDDING LAYER.

10 TRENCH WIDTHS FOR PIPE SIZES ≤80mm MAY BE <500mm, SUBJECT TO CONSIDERATION BEING GIVEN TO THE TRENCH DEPTH, HEALTH & SAFETY & CONSTRUCTION ACCESS REQUIREMENTS.

PIPE DIAMETER 'A' (mm)	DEPTH OF BEDDING 'c' (mm)
< 200	150
> 250	200

PIPE DIAMETER 'A' (mm)	TRENCH WIDTH 'B' (mm)
< 80	< SEE NOTE 10.
100	500
150	600
200	600
250	750
300	750
350	750
400	900
450	900

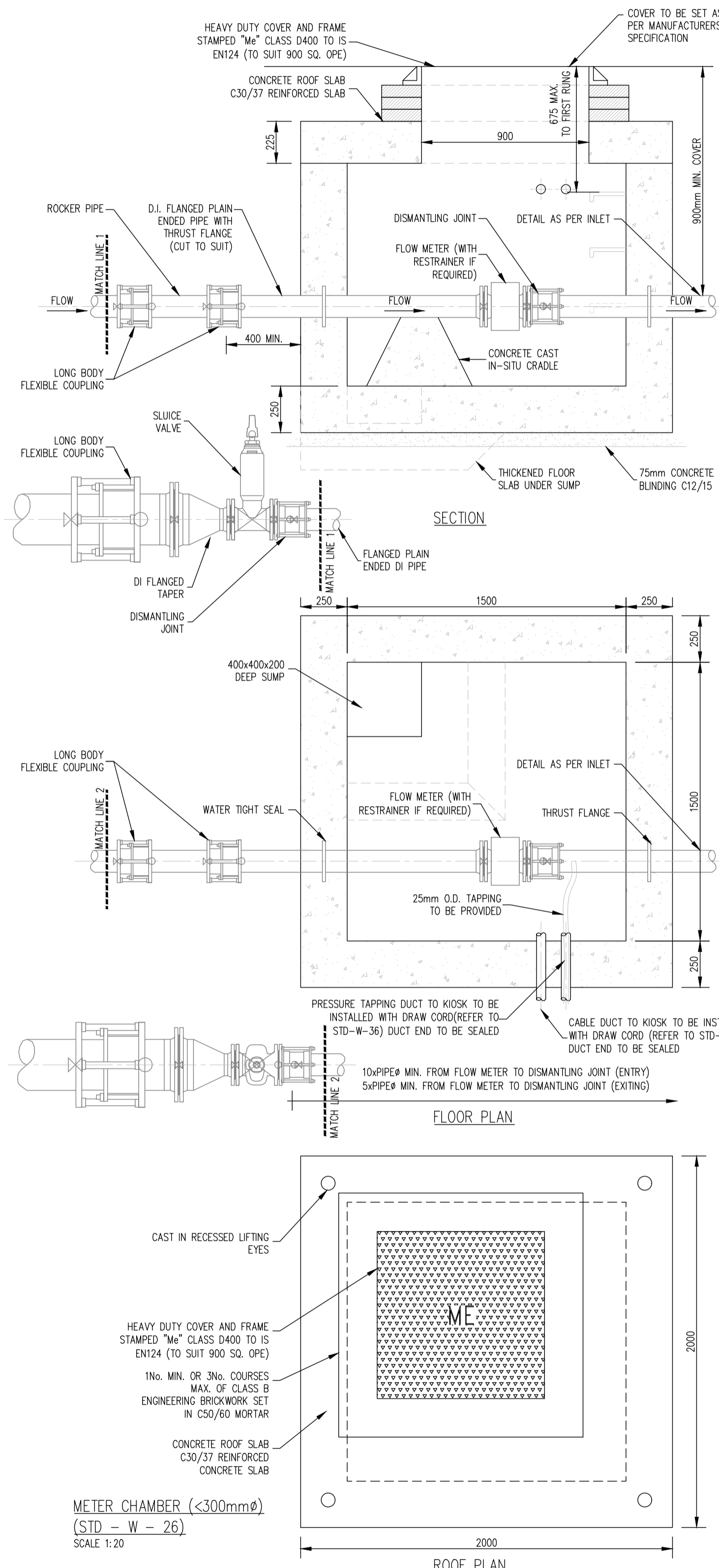


TRENCH BACKFILL AND BEDDING (STD - W - 13) SCALE 1:20

NOTES:

1. ALL DIMENSIONS ARE IN MILLIMETRES (mm) UNLESS NOTED OTHERWISE.
2. STRUCTURAL DESIGN AND REINFORCEMENT DETAIL TO BE PROVIDED BY THE DEVELOPER AND SUBMITTED TO IRISH WATER FOR REVIEW.
3. CONCRETE FOR FLOW METER CHAMBER TO BE C30/37
4. PRECAST METER CHAMBER (WITH CONCRETE SURROUND) MAY BE USED SUBJECT TO IRISH WATER APPROVAL.
5. METER CHAMBER SHALL BE COVERED WITH APPROVED HEAVY DUTY METAL COVERS TO

6. IS EN124 RATING D400. COVER AND FRAME SHALL BE SUITABLE FOR ROAD AND TRAFFIC CONDITIONS AND IS SUBJECT TO THE APPROVAL OF IRISH WATER.
7. 200mm ALL ROUND, 100mm DEEP CONCRETE PLINTH WITH PROTECTIVE STAINLESS STEEL METAL BAND AROUND COVER IN GRASS AREAS.
8. ANTI CORROSION TAPE TO BE PROVIDED AROUND BURIED FLANGES.
9. DUCTILE IRON PIPES AND FITTINGS TO BE IN ACCORDANCE WITH IS EN545. PE PIPES AND FITTINGS TO BE IN ACCORDANCE WITH IS EN 12201:2011.
10. ALL CHAMBERS TO BE CHECKED FOR UPLIFT
11. ALL CONCRETE TO BE IN ACCORDANCE WITH IS EN206.

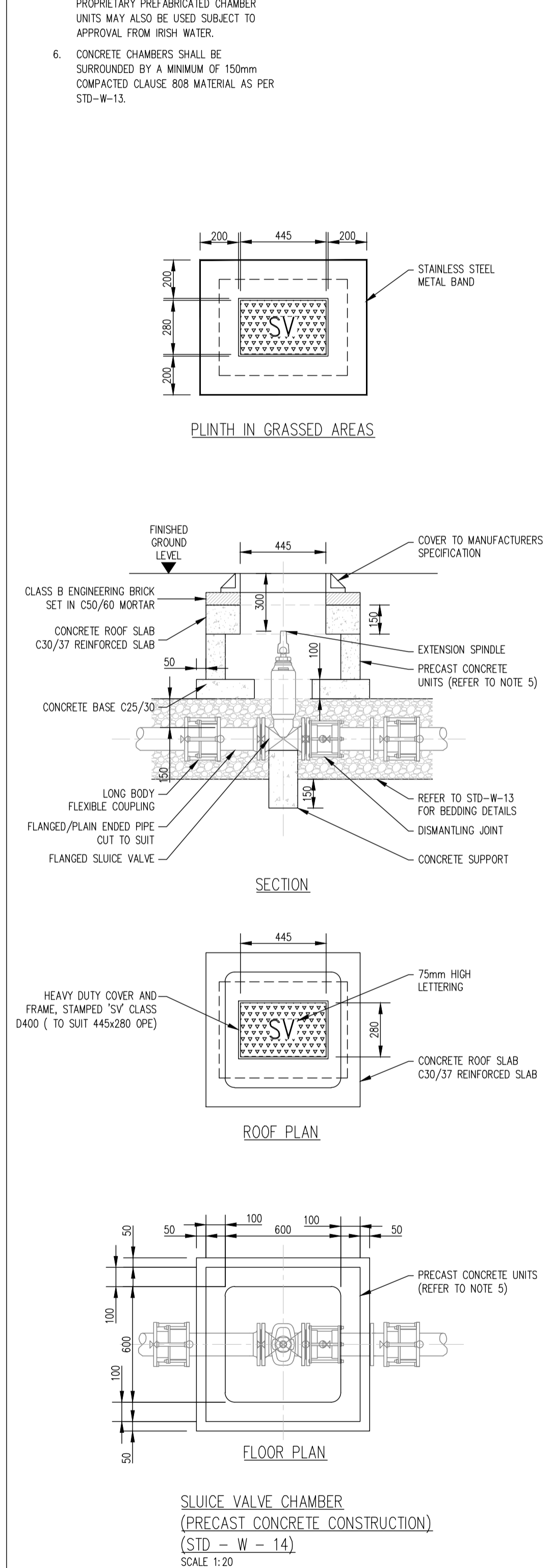


METER CHAMBER (<300mmØ) (STD - W - 26) SCALE 1:20

NOTES:

1. ALL DIMENSIONS ARE IN MILLIMETRES (mm) UNLESS NOTED OTHERWISE.
2. SLUICE VALVE CHAMBERS SHALL BE COVERED WITH APPROVED HEAVY DUTY METAL COVERS TO IS 261 OR BS 5834. COVER AND FRAME SHALL BE SUITABLE FOR ROAD AND TRAFFIC CONDITIONS AND IS SUBJECT TO THE APPROVAL OF IRISH WATER.
3. SLUICE VALVES SHALL BE RESILIENT SEATED AND SHALL COMPLY WITH BS 5163-1, BS 5163-2, IS EN 1074-1, IS EN 1074-2, OR EQUIVALENT EU SPECIFICATIONS.
4. ALL SLUICE VALVES SHALL BE ANTI-CLOCKWISE CLOSING.
5. VALVE CHAMBER TO BE CONSTRUCTED OF PRECAST CONCRETE UNITS OR HIGH DENSITY BLOCKWORK. ALTERNATIVELY PROPRIETARY PREFABRICATED CHAMBER UNITS MAY ALSO BE USED SUBJECT TO APPROVAL FROM IRISH WATER.
6. CONCRETE CHAMBERS SHALL BE SURROUNDED BY A MINIMUM OF 150mm COMPACTED CLAUSE 808 MATERIAL AS PER STD-W-13.

7. DUCTILE IRON PIPES AND FITTINGS TO BE IN ACCORDANCE WITH IS EN 545.
8. 200mm ALL AROUND, 100mm DEEP CONCRETE PLINTH WITH PROTECTIVE STEEL METAL BAND AROUND COVER IN GREEN AREAS.
9. THRUST BLOCKS (NOT SHOWN ON DRAWING) TO BE PROVIDED AS PER STANDARD DRAWING STD-W-28 AT ALL TEES AND BENDS, TAPERS, DEAD ENDS AND PIPES AT STEEP SLOPES.
10. ANTI-CORROSION TAPE TO BE PROVIDED AROUND BURIED FLANGES.
11. ALL CONCRETE TO BE IN ACCORDANCE WITH IS EN 206
12. ALL THRUST FLANGES TO BE ADEQUATELY RESTRAINED BY THRUST BLOCKS AS PER DRAWING No. STD-W-28. THRUST BLOCKS NOT SHOWN FOR CLARITY

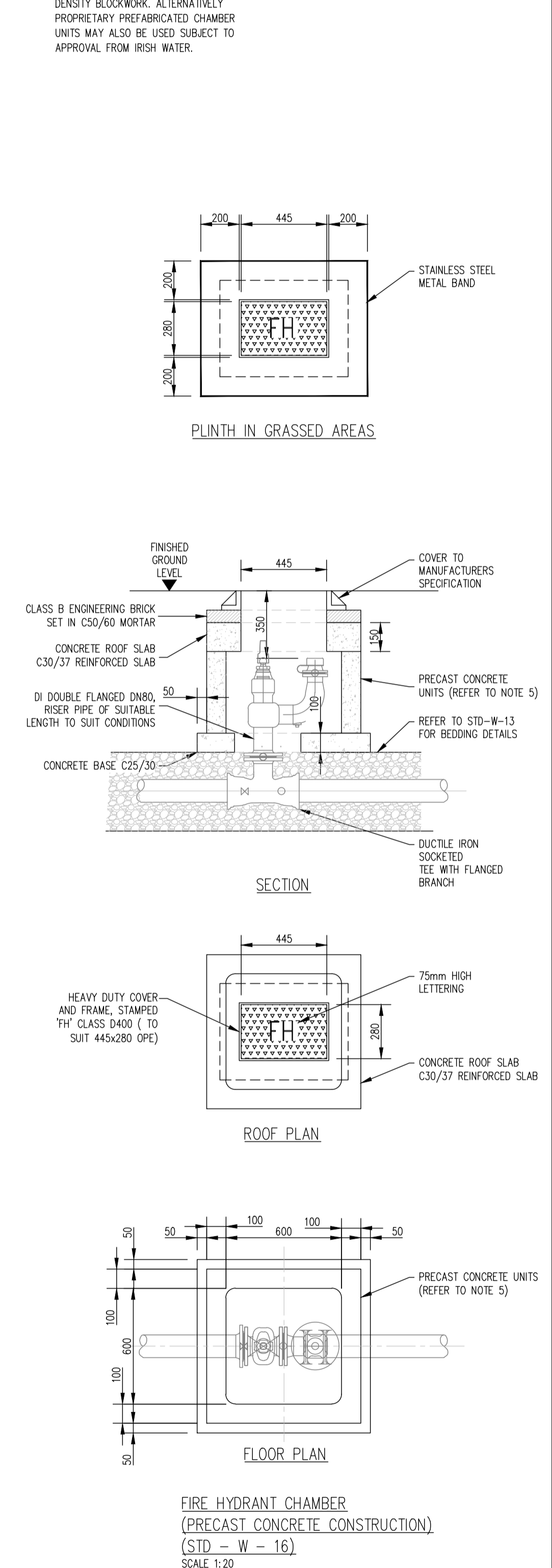


SLUICE VALVE CHAMBER (PRECAST CONCRETE CONSTRUCTION) (STD - W - 14) SCALE 1:20

NOTES:

1. ALL DIMENSIONS ARE IN MILLIMETRES (mm) UNLESS NOTED OTHERWISE.
2. HYDRANT CHAMBERS SHALL BE COVERED WITH APPROVED HEAVY DUTY METAL COVERS TO IS 261 OR BS 5834. COVER AND FRAME SHALL BE SUITABLE FOR ROAD AND TRAFFIC CONDITIONS AND IS SUBJECT TO THE APPROVAL OF IRISH WATER.
3. ALL HYDRANTS, SURFACE BOX FRAMES AND COVERS SHALL COMPLY WITH THE RELEVANT PROVISIONS OF IS EN 14339, IS EN 1074-6 & BS 750. FIRE HYDRANTS SHALL BE TYPE 2. THE HYDRANT INLET SHALL BE 80mm DIAMETER WITH PN16.
4. ALL HYDRANTS SHALL BE CLOCKWISE CLOSING.
5. VALVE CHAMBER TO BE CONSTRUCTED OF PRECAST CONCRETE UNITS OR HIGH DENSITY BLOCKWORK. ALTERNATIVELY PROPRIETARY PREFABRICATED CHAMBER UNITS MAY ALSO BE USED SUBJECT TO APPROVAL FROM IRISH WATER.

6. CONCRETE CHAMBERS SHALL BE SURROUNDED BY A MINIMUM OF 150mm COMPACTED CLAUSE 808 MATERIAL AS PER STD-W-13.
7. DUCTILE IRON PIPES AND FITTINGS TO BE IN ACCORDANCE WITH IS EN 545.
8. 200mm ALL AROUND, 100mm DEEP CONCRETE PLINTH WITH PROTECTIVE STEEL METAL BAND AROUND COVER IN GREEN AREAS.
9. THRUST BLOCKS (NOT SHOWN ON DRAWING) TO BE PROVIDED AS PER STANDARD DRAWING STD-W-28 AT ALL TEES AND BENDS, TAPERS, DEAD ENDS AND PIPES AT STEEP SLOPES.
10. ANTI-CORROSION TAPE TO BE PROVIDED AROUND BURIED FLANGES.
11. ALL CONCRETE TO BE IN ACCORDANCE WITH IS EN 206



FIRE HYDRANT CHAMBER (PRECAST CONCRETE CONSTRUCTION) (STD - W - 16) SCALE 1:20

PLANNING DRAWING. NOT FOR CONSTRUCTION.
ALL LEVELS GIVEN ARE RELATIVE TO ORDNANCE DATUM.
THIS DRAWING HAS BEEN ISSUED FOR INFORMATION PURPOSES ONLY AND MUST NOT BE USED FOR CONSTRUCTION UNDER ANY CIRCUMSTANCES

- NOTES**
1. For setting out refer to Architect's drawings.
 2. This drawing to be read in conjunction with all other Architectural and Engineering drawings and all other relevant drawings and Specifications.
 3. DO NOT SCALE THIS DRAWING. Use figured dimensions only.
 4. No part of this document may be reproduced or transmitted in any form or stored in any retrieval system of any nature without the written permission as copyright holder except as agreed for use on the project for which the document was originally issued.
 5. Ordnance Survey Ireland Licence Number EN 0074022

Rev. No.	Date	REVISION NOTE
P1	01.11.2021	ARCHITECTS LAYOUT AND SITE BOUNDARY REVISED
P2	14.03.2022	ARCHITECTS LAYOUT REVISED

Dr. By	Chk. By
IK	FDB
IK	FDB

Client	Project	Title	Dwg. No.	Date	Dr. by	Chk. by	Appr. by	Scale	Revision
Ravensbrook Limited	Proposed Residential Development	Watermain Details	RR-CSC-XX-DR-C-0012	April 2021	IK	FDB	NB	As Shown @ A1	P2

CS Consulting Group
DUBLIN | LONDON | LIMERICK

Head Office
19-22 Dame Street, Dublin 2.
T: +353 (0)1 5480863
e: info@csconsulting.ie
w: www.csconsulting.ie

Quality Environment Health & Safety
I.S. EN ISO 9001:2008
I.S. EN ISO 14001:2004
I.S. EN ISO 50001:2011
OHSAS 18001:2007